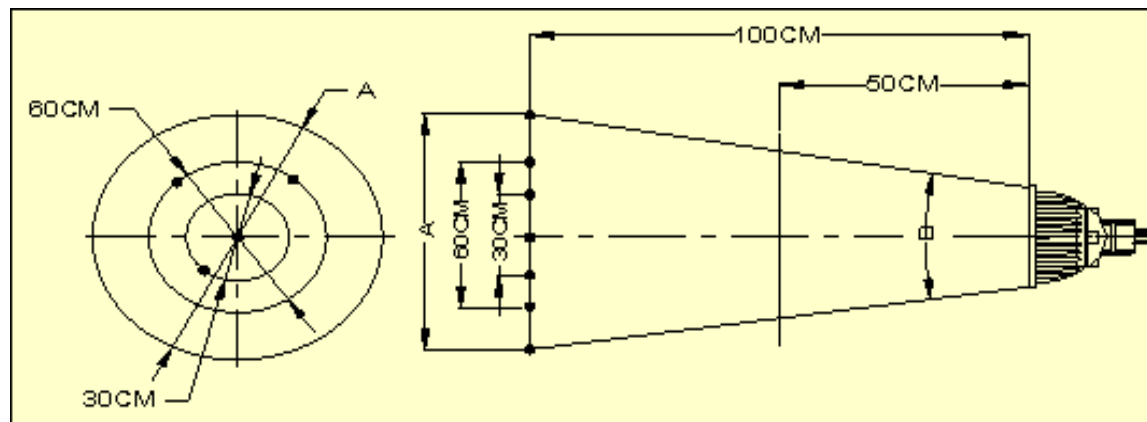


# FOCOS LED MR16

## 2.1 Características Ópticas a $i_p=350mA$

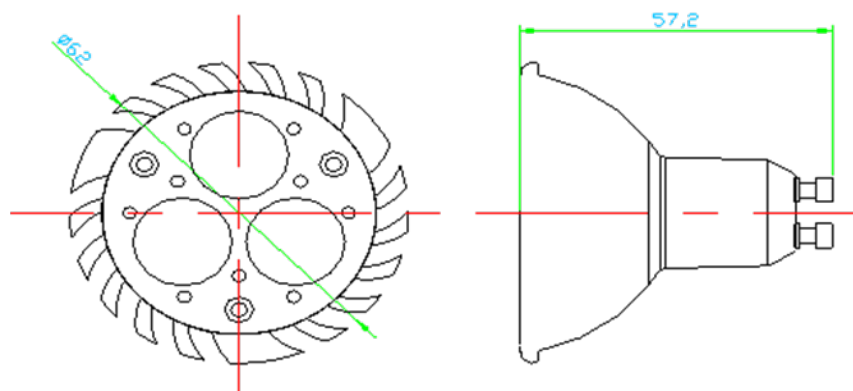
part no.	LED Brand	Color	wavelength/CT(nm/K)	Luminous Flux (LM)	light center (lux)	light border 1M/0.5M (LUX )	center illuminance 1M/0.5M (LUX )	light circle 1M/0.5M (CM)
QM-0004-001	Luxeon	cool w hite	6000-8000K	135	80000	6/12	500/1760	100/50
QM-0004-002		warm white	2800-3500K	60	45000	5/8	320/1150	100/50
QM-0004-003		red	625-630nm	81	55000	5/9	435/1600	100/50
QM-0004-004		green	520-525nm	159	78000	6/10	500/1740	100/50
QM-0004-005		blue	465-470nm	48	48000	5/8	400/1500	100/50
QM-0004-006		yellow	585-590nm	105	16000	4/6	160/600	100/50
QM-0004-007	Edison	cool w hite	6000-8000K	150	110000	8/18	560/1860	100/50
QM-0004-008		warm white	2800-3500K	75	75000	6/12	330/1250	100/50
QM-0004-009		red	625-630nm	105	80000	7/15	450/1700	100/50
QM-0004-010		green	520-525nm	165	100000	8/18	550/1880	100/50
QM-0004-011		blue	465-470nm	60	78000	6/16	430/1620	100/50
QM-0004-012		yellow	585-590nm	126	30000	6/10	180/800	100/50
QM-0004-013	Cree	cool w hite	5000-10000k	240	135000	60/160	3500/50000	100/50
QM-0004-014		warm white	4500-8000k	150	50000	40/100	500/2500	100/50



# FOCOS LED MR16

## 3.1 Características Ópticas a $I_p=500mA$ POTENCIA DE SALIDA: 6.0W

Num. de Parte	Marc a del foco LED	Color	Longitud de onda/ CCT(nm/K)	Flujo Luminoso (LM)	centro de iluminacion @1M/0.5M (LUX )	Diametro 60/30CM 1M/0.5M (LUX)	circulo de luz 1M/0.5M (CM)
QM-0048-001	Luxeon	cool w hite	5000-7000K	315	1410/5500	250/370	100/55
QM-0048-002		w arm w hite	2800-3500K	175	1130/4800	200/310	100/55
QM-0048-003		red	625-630nm	189	800/3340	175/270	100/55
QM-0048-004		green	520-525nm	371	960/3730	180/280	100/55
QM-0048-005		blue	465-470nm	112	1950/7840	300/420	100/55
QM-0048-006		yellow	585-590nm	245	400/1650	90/120	100/55
QM-0048-007	Edison (SL)	cool w hite	5000-7000K	350-410	1410/5500	250/370	100/55
QM-0048-008		w arm w hite	2800-3500K	280	1130/4800	200/310	100/55
QM-0048-009		red	625-630nm	245	800/3340	175/270	100/55
QM-0048-010		green	520-525nm	385	960/3730	180/280	100/55
QM-0048-011		blue	465-470nm	140	1950/7840	300/420	100/55
QM-0048-012		yellow	585-590nm	394	400/1650	90/120	100/55
QM-0048-013	Cree	cool w hite	5000-7000K	560	1340/5000	280/360	100/55
QM-0048-014		w arm w hite	2800-3500K	280-350	1250/4300	200/320	100/55



# FOCOS LED MR16

## 3.1 Características Ópticas a $I_p=500mA$ POTENCIA DE SALIDA: 6.0W

Num. de Parte	Marca del foco LED	Color	longitud de onda/ CCT(nm/K)	Flujo Luminoso (LM)	centro de iluminacion @1M/0.5M (LUX )	Diametro 60/30CM 1M/0.5M (LUX )	circulo de luz 1M/0.5M (CM)
QM-0047-001	Luxeon	cool w hite	5000-7000K	315	1410/5500	250/370	100/55
QM-0047-002		w arm w hite	2800-3500K	175	1130/4800	200/310	100/55
QM-0047-003		red	625-630nm	189	800/3340	175/270	100/55
QM-0047-004		green	520-525nm	371	960/3730	180/280	100/55
QM-0047-005		blue	465-470nm	112	1950/7840	300/420	100/55
QM-0047-006		yellow	585-590nm	245	400/1650	90/120	100/55
QM-0047-007	Edison (SL)	cool w hite	5000-7000K	350-410	1410/5500	250/370	100/55
QM-0047-008		w arm w hite	2800-3500K	280	1130/4800	200/310	100/55
QM-0047-009		red	625-630nm	245	800/3340	175/270	100/55
QM-0047-010		green	520-525nm	385	960/3730	180/280	100/55
QM-0047-011		blue	465-470nm	140	1950/7840	300/420	100/55
QM-0047-012		yellow	585-590nm	394	400/1650	90/120	100/55
QM-0047-013	Cree	cool w hite	5000-7000K	560	1340/5000	280/350	100/55
QM-0047-014		w arm w hite	2800-3500K	280-350	1250/4300	200/320	100/55

